

**OVERALL ASSEMBLY
75KVA TRANSFORMER
D/D W/CT
27" ENCL.**

TOLERANCES UNLESS OTHERWISE SPECIFIED	
2-PL	± .02
3-PL	± .005
HOLES	± .030
ANGLES	± 1°
REMOVE ALL BURRS	
SCALE	NTS

FINISH:

DRAWN DATE

DRAWN BY

AS

CHECKED DATE

CHK'D BY

EN

SHEET

1 OF 2

WEIGHT:

PART NO.

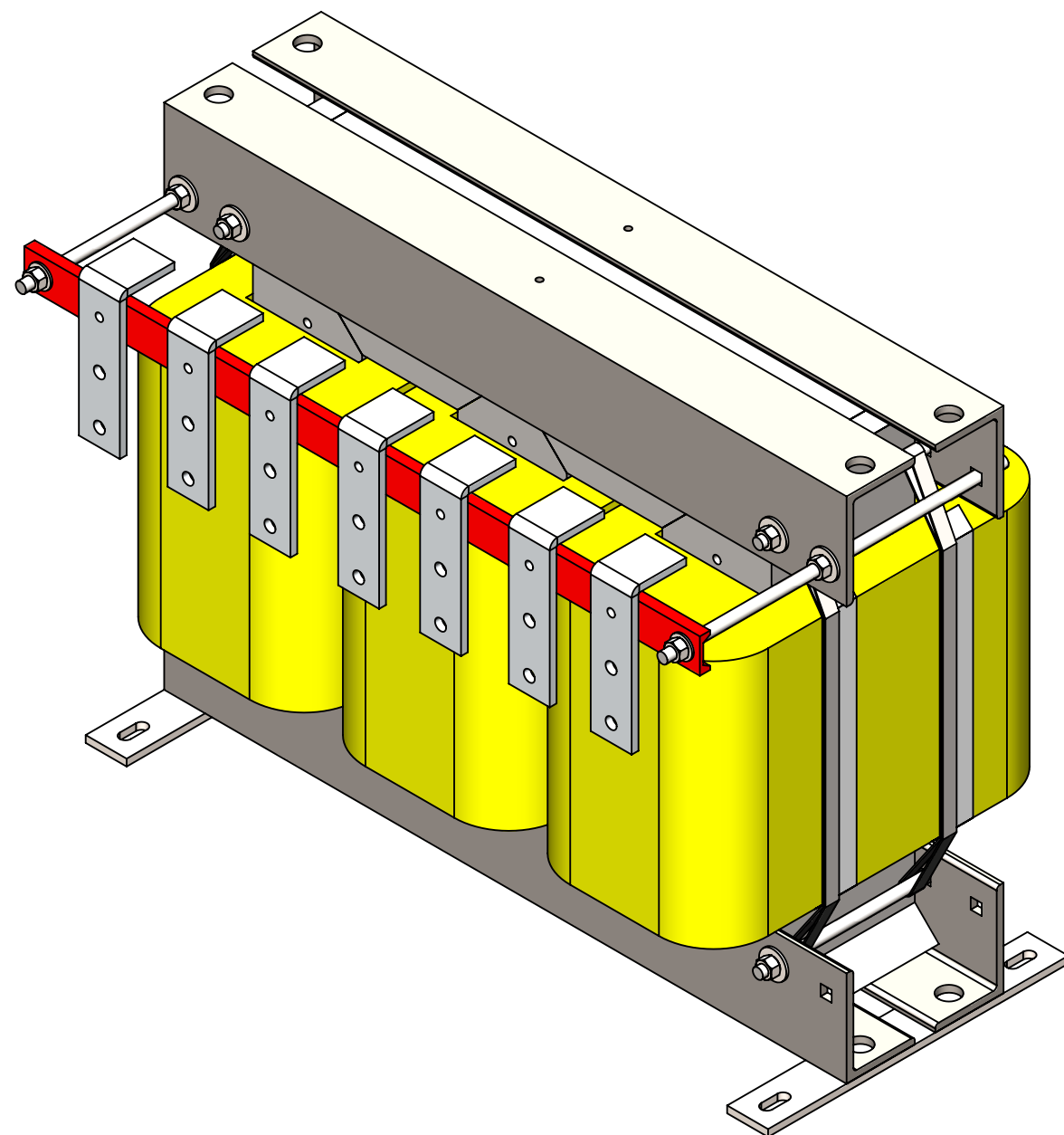
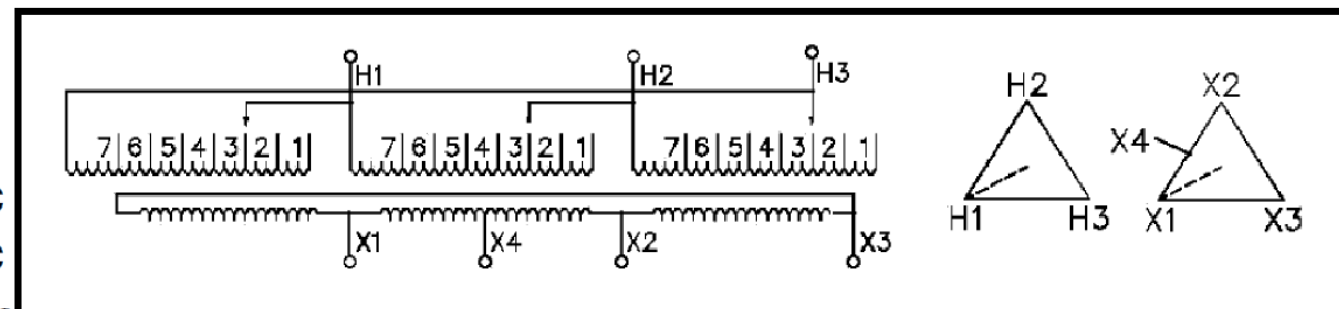
423-9237-000-CD

B		NAMEPLATE ADDED
A		INITIAL RELEASE
REV	DATE	DESCRIPTION

kVA 75
Phase 3
Hz 60
%IZ 4.6
Rise 150 °C
Ins. Class 220 °C
Weight 605 lbs
Class AA
Wdg. Mtl. Al

High Voltage: 480 Delta

Low Voltage: 240 Delta / 120 CT



High Voltage: Lines on H1, H2, H3

Connect	1	2	3	4	5	6	7
Volts	504	492	480	468	456	444	432

SEISMIC
QUALIFIED to IBC, CBC
SDS=2.00g, z/h=1.0, 1p=1.5
Rigid Floor Mounted
OSHDPD OSP-0109-10

Low Voltage: Lines on X1-X2-X3

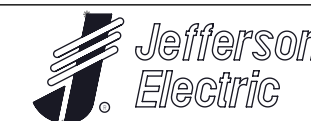
Line - Line 240 V	Lines X1-X4 & X2-X4 120 V 1 Ph Only
----------------------	--

Meets DOE-2016
Efficiency

423 Series

Outdoor Type 3R

Datecode: R1701 Job#: 0SRG1 SN: 0001



OVERALL ASSEMBLY
75KVA TRANSFORMER
D/D W/CT
27" ENCL.

TOLERANCES UNLESS OTHERWISE SPECIFIED
2-PL ± .02
3-PL ± .005
HOLES ± .030
ANGLES ± 1°
REMOVE ALL BURRS
SCALE

FINISH:

DRAWN DATE

CHECKED DATE

DRAWN BY

CHK'D BY

WEIGHT:

NTS

AS

EN

SHEET

2 OF 2

PART NO.

423-9237-000-CD

B		NAMEPLATE ADDED
A		INITIAL RELEASE
REV	DATE	DESCRIPTION